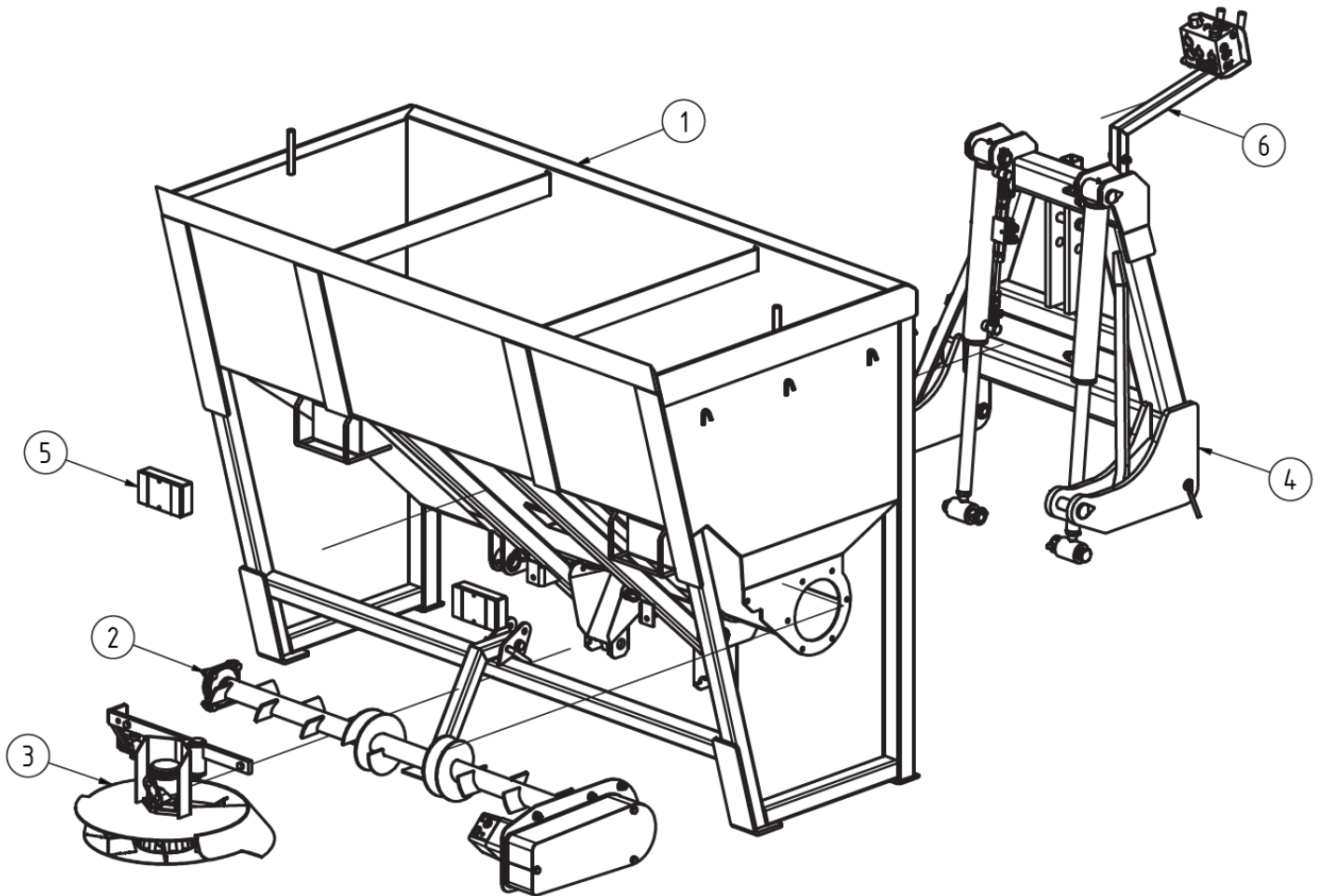
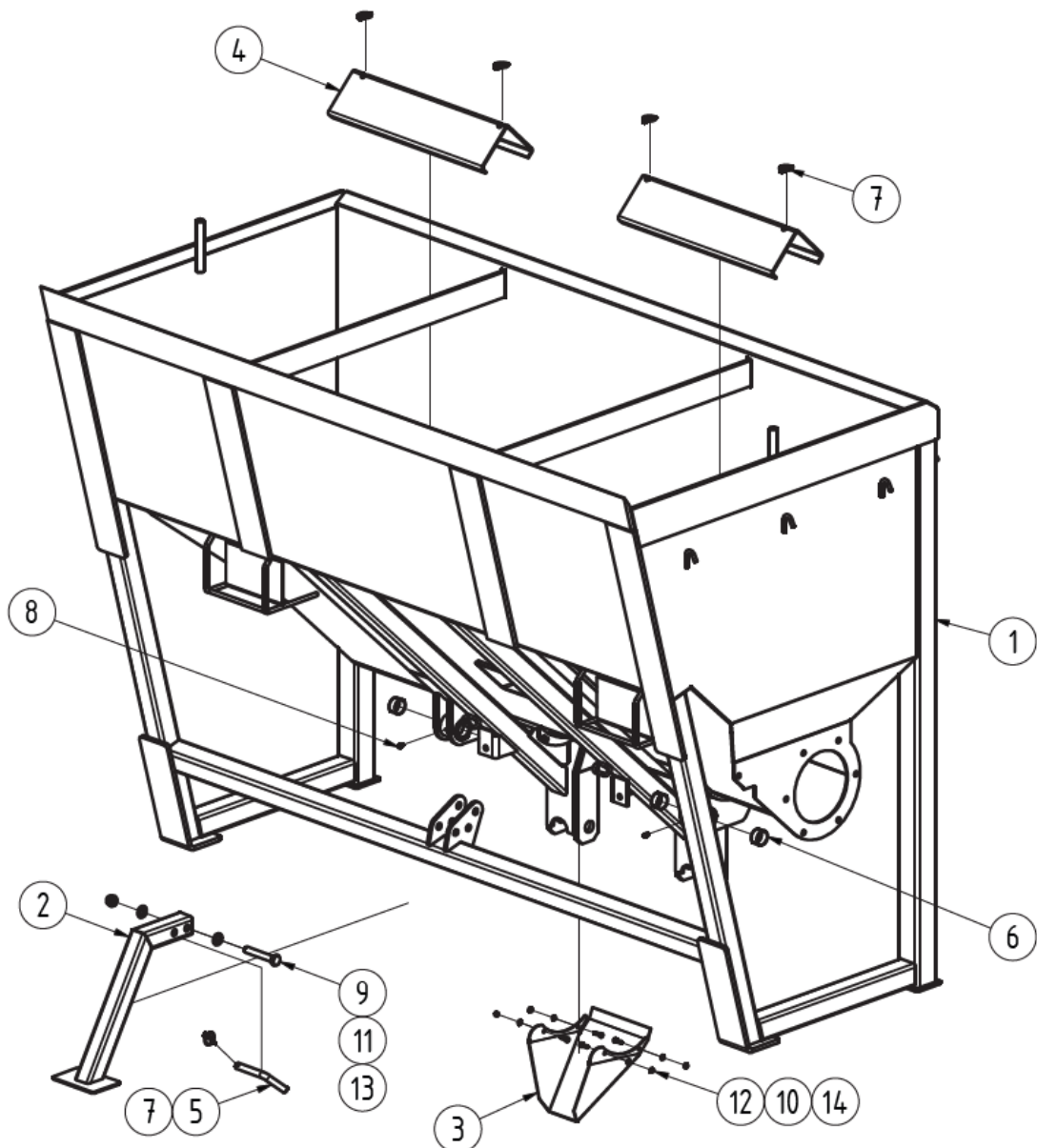


## Reservdelar till K.T.S Sandspridare med tallrik



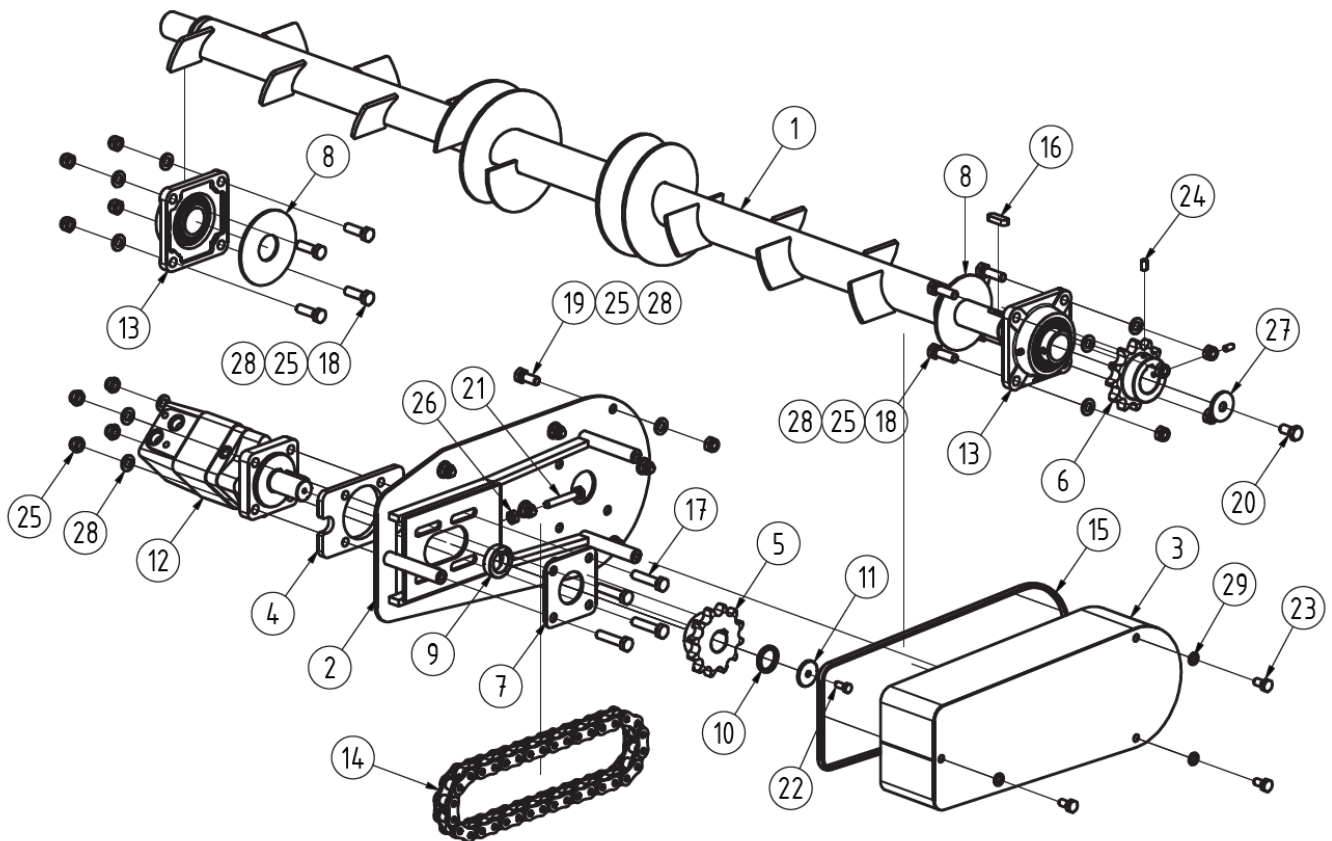
| Item | Ref./Drawing No. | Benämning                | Title / Description     | Notes | Qty |
|------|------------------|--------------------------|-------------------------|-------|-----|
| 1    | SR15-01          | Sandspridare SR15S       | Sand Spreader SR15S     |       | 1   |
| 2    | SR15-02          | Utmatnings-/blandarskriv | Mixer Screw Comp.       |       | 1   |
| 3    | SR15-03          | Spridartallrik           | Distribution system     |       | 1   |
| 4    | SR15-04          | 3-punktsfäste            | Three point frame comp. |       | 1   |
| 5    | SR15-05          |                          | Electric system         |       | 1   |
| 6    | SR15-06          |                          | Hydraulic system        |       | 1   |

## Reservdelar till K.T.S Sandspridare med tallrik



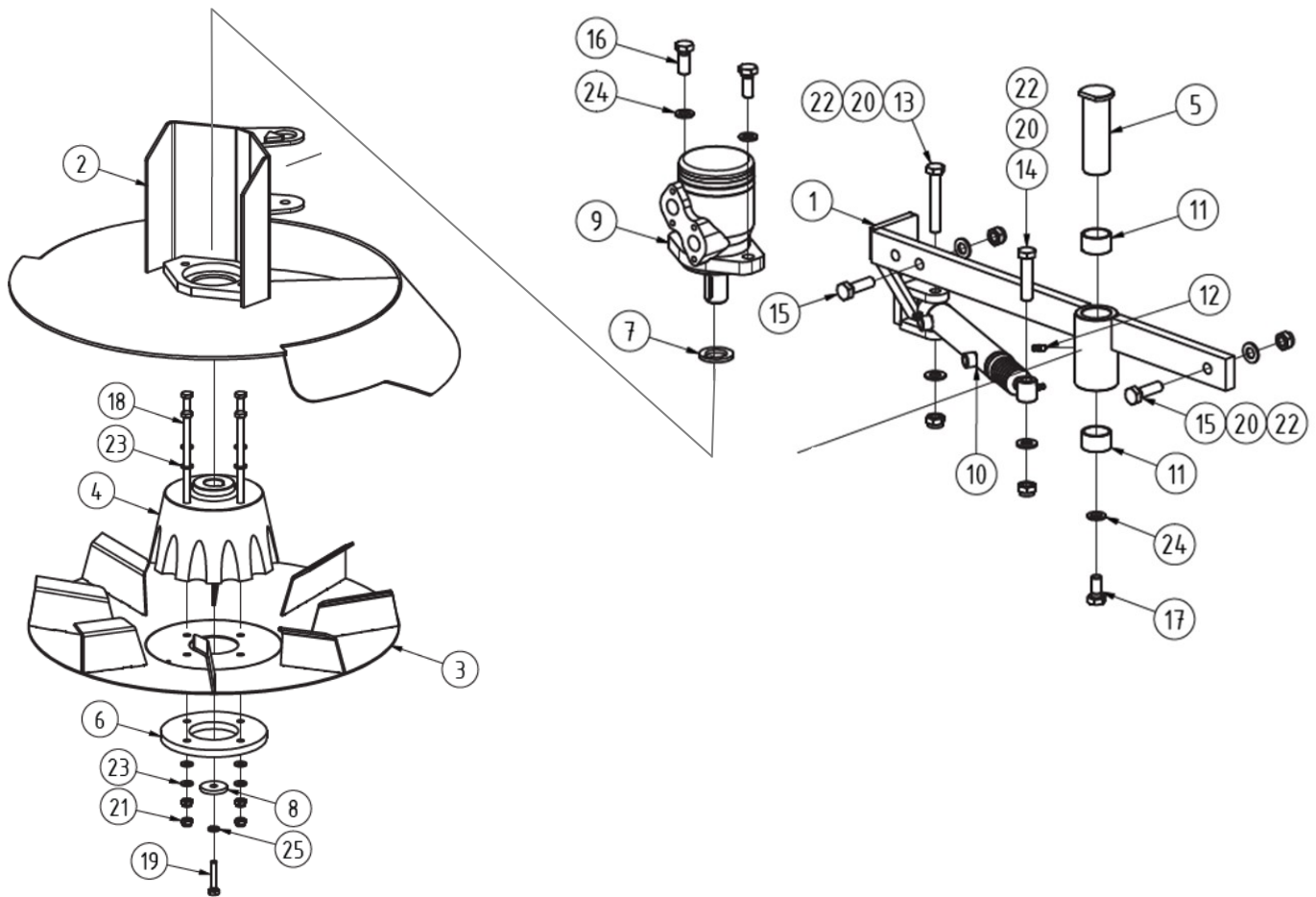
| Item | Ref./Drawing No.     | Benämning   | Title / Description | Notes     | Qty |
|------|----------------------|-------------|---------------------|-----------|-----|
| 1    | SR15 1 01 00         | Skopa       | Corpus              |           | 1   |
| 2    | SR15 0 04 00         | Stödben     | Support Leg         |           | 1   |
| 3    | SR15 0 00 01         | Ränna       | Guide               |           | 1   |
| 4    | SR15 0 00 04         | Skydd       | Cover               |           | 2   |
| 5    | SR15 0 00 05         | Sprint      | Pin                 |           | 1   |
| 6    | P353920              | Bussining   | Slide Bearing       |           | 4   |
| 7    | 10524                | Ringsprint  | Locking Pin         |           | 5   |
| 8    | AM 6                 | Smörjnippel | Lubricating Nipple  | DIN 71412 | 2   |
| 9    | M16 x 100 - 8.8 ZN/C | Skruv       | Hex-Head Bolt       | DIN 931-1 | 1   |
| 10   | M6 x 20 - 8.8 ZN/C   | Skruv       | Hex-Head Bolt       | DIN 933   | 4   |
| 11   | M16 - 8 ZN/C         | Mutter      | Hex Nut             | DIN 985   | 1   |
| 12   | M6 - 8 ZN/C          | Mutter      | Hex Nut             | DIN 985   | 4   |
| 13   | A 17 - ZN/C          | Bricka      | Washer              | DIN 125   | 2   |
| 14   | A 6,4 - ZN/C         | Bricka      | Washer              | DIN 125   | 4   |

## Reservdelar till K.T.S Sandspridare med tallrik



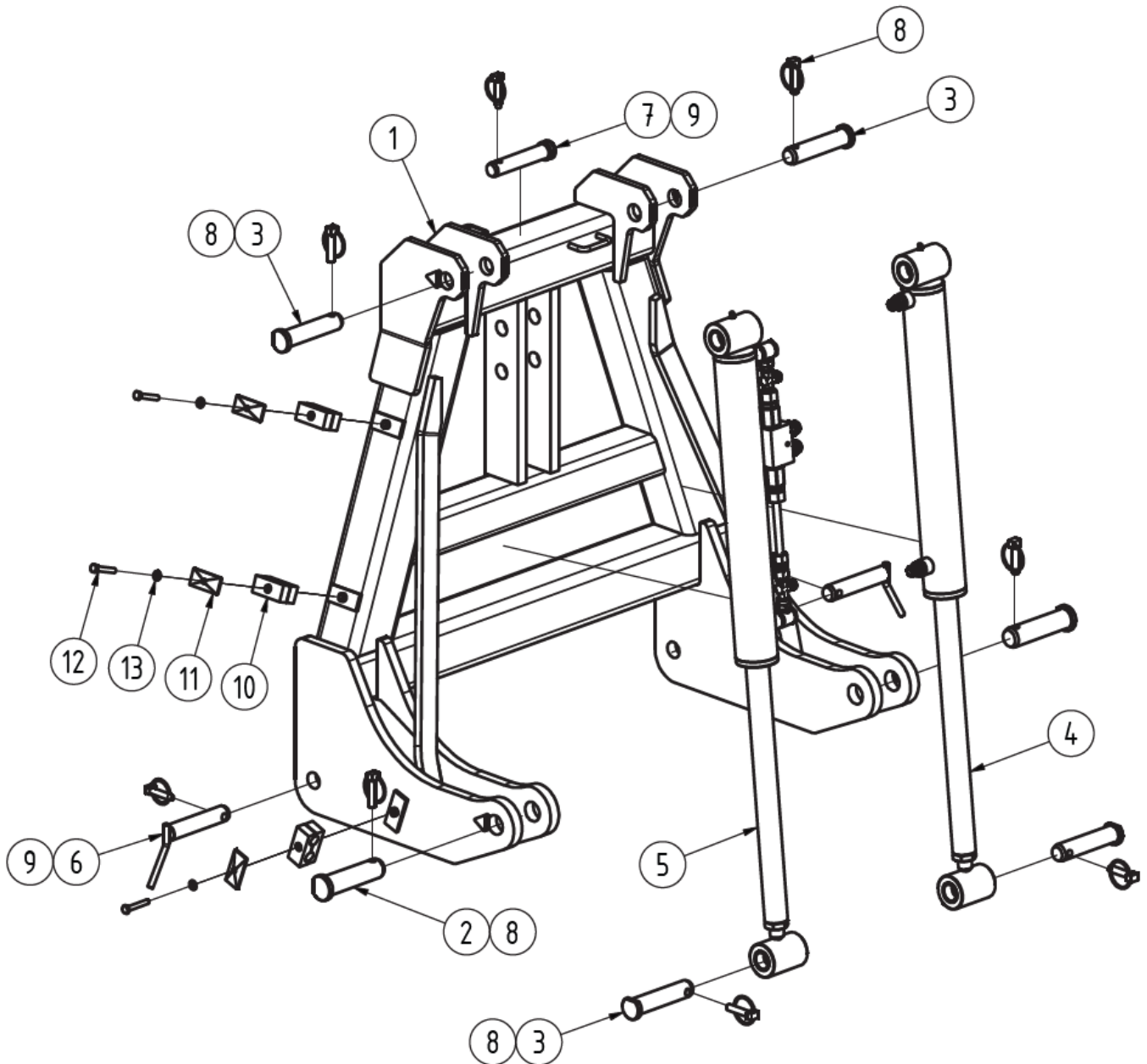
| Item | Ref./Drawing No.    | Benämning                | Title / Description  | Notes     | Qty |
|------|---------------------|--------------------------|----------------------|-----------|-----|
| 1    | SR15 1 21 00        | Utmatnings-/blandarskruv | Mixing Screw         |           | 1   |
| 2    | SR15 0 22 00        | Support platta           | HM Support plate     |           | 1   |
| 3    | SR15 0 23 00        | Skydd                    | Cover                |           | 1   |
| 4    | SR15 0 24 00        | Support platta           | HM Support Plate     |           | 1   |
| 5    | SR15 0 02 01        | Drev                     | Sprocket N16B1-12-32 |           | 1   |
| 6    | SR15 0 02 02        | Drev                     | Sprocket N16B1-12-40 |           | 1   |
| 7    | SR15 0 02 03        | Platta                   | Plate                |           | 1   |
| 8    | SR15 0 02 04        | Plastskiva               | Plastic disk         |           | 2   |
| 9    | SR15 0 02 05        | Distansring              | Spacer ring          |           | 1   |
| 10   | SR15 0 02 06        | Distansring              | Spacer ring          |           | 1   |
| 11   | SR15 0 02 07        | Bricka                   | Washer               |           | 1   |
| 12   | OMS400              | Hydraulmotor             | Hydraulic Motor      |           | 1   |
| 13   | UCF208              | Lager                    | Flanged Bearing Unit |           | 2   |
| 14   | 16B1-36             | Kedja                    | Roller Chain 16B1-36 |           | 1   |
| 15   | 7662-102151         | Tätning                  | Seal                 |           | 1   |
| 16   | A 12 x 8 x 36       | Kil                      | Parallel Key         | DIN 6885  | 1   |
| 17   | M12 x 55 - 8.8 ZN/C | Skruv                    | Hex-Head Bolt        | DIN 931-1 | 4   |
| 18   | M12 x 40 - 8.8 ZN/C | Skruv                    | Hex-Head Bolt        | DIN 933   | 8   |
| 19   | M12 x 30 - 8.8 ZN/C | Skruv                    | Hex-Head Bolt        | DIN 933   | 7   |
| 20   | M12 x 25 - 8.8 ZN/C | Skruv                    | Hex-Head Bolt        | DIN 933   | 1   |
| 21   | M10 x 65 - 8.8 ZN/C | Skruv                    | Hex-Head Bolt        | DIN 933   | 1   |
| 22   | M8 x 20 - 8.8 ZN/C  | Skruv                    | Hex-Head Bolt        | DIN 933   | 1   |
| 23   | M10 x 20 - 8.8 ZN/C | Skruv                    | Hex-Head Bolt        | DIN 933   | 3   |
| 24   | M8 x 16 - 8.8       | Låsskruv                 | Hex. Soc. Set Screw  | DIN 916   | 4   |
| 25   | M12 - 8 ZN/C        | Mutter                   | Hex Nut              | DIN 985   | 19  |
| 26   | M10 - 8 ZN/C        | Mutter                   | Hex Nut              | DIN 934   | 1   |
| 27   | ø12 - ZN/C          | Bricka                   | Washer               | DIN 440   | 1   |
| 28   | A 13 - ZN/C         | Bricka                   | Washer               | DIN 125   | 19  |
| 29   | A 10 - ZN/C         | Fjäderbricka             | Spring Washer        | DIN 127   | 3   |

## Reservdelar till K.T.S Sandspridare med tallrik



| Item | Ref./Drawing No.    | Benämning           | Title / Description | Notes     | Qty |
|------|---------------------|---------------------|---------------------|-----------|-----|
| 1    | SR15 0 31 00        | Arm                 | Distributor Support |           | 1   |
| 2    | SR15 0 32 00        | Skydd               | Protective Cover    |           | 1   |
| 3    | SR15 0 33 00        | Tallrik             | Spinner             |           | 1   |
| 4    | SR15 0 03 01        | Anslutningsbussning | Connecting bushing  |           | 1   |
| 5    | SR15 0 03 02        | Axel                | Axel                |           | 1   |
| 6    | SR15 0 03 03        | Supportskiva        | Support disk        |           | 1   |
| 7    | SR15 0 03 04        | Distans             | Spacer              |           | 1   |
| 8    | SR15 0 03 05        | Bricka              | Washer              |           | 1   |
| 9    | OMP 32              | Hydraulmotor        | Hydraulic Motor     |           | 1   |
| 10   | HC2516100           | Hydraulcylinder     | Hydraulic Cylinder  | HC3326    | 1   |
| 11   | P303420             | Bussning            | Slide Bearing       |           | 2   |
| 12   | AM 6                | Smörjnippel         | Lubricating Nipple  | DIN 71412 | 1   |
| 13   | M12 x 75 - 8.8 ZN/C | Skruv               | Hex-Head Bolt       | DIN 931-1 | 1   |
| 14   | M12 x 55 - 8.8 ZN/C | Skruv               | Hex-Head Bolt       | DIN 931-1 | 1   |
| 15   | M12 x 40 - 8.8 ZN/C | Skruv               | Hex-Head Bolt       | DIN 933   | 2   |
| 16   | M12 x 30 - 8.8 ZN/C | Skruv               | Hex-Head Bolt       | DIN 933   | 2   |
| 17   | M12 x 25 - 8.8 ZN/C | Skruv               | Hex-Head Bolt       | DIN 933   | 1   |
| 18   | M8 x 125 - 8.8 ZN/C | Skruv               | Hex-Head Bolt       | DIN 931-1 | 4   |
| 19   | M8 x 40 - 8.8 ZN/C  | Skruv               | Hex-Head Bolt       | DIN 933   | 1   |
| 20   | M12 - 8 ZN/C        | Mutter              | Hex Nut             | DIN 985   | 4   |
| 21   | M8 - 8 ZN/C         | Mutter              | Hex Nut             | DIN 985   | 4   |
| 22   | A 13 - ZN/C         | Bricka              | Washer              | DIN 125   | 4   |
| 23   | A 8,4 - ZN/C        | Bricka              | Washer              | DIN 125   | 8   |
| 24   | A 12 - ZN/C         | Fjäderbricka        | Spring Washer       | DIN 127   | 3   |
| 25   | A 8 - ZN/C          | Fjäderbricka        | Spring Washer       | DIN 127   | 1   |

## Reservdelar till K.T.S Sandspridare med tallrik



| Item | Ref./Drawing No.   | Benämning               | Title / Description | Notes      | Qty |
|------|--------------------|-------------------------|---------------------|------------|-----|
| 1    | SR15 1 05 00       | 3. punkts ram           | Connecting Frame    |            | 1   |
| 2    | SR15 1 00 02       | Axel                    | Round ø45           |            | 2   |
| 3    | SR15 0 00 03       | Axel                    | Round ø40           |            | 4   |
| 4    | HC6340445          | Hydraulcylinder         | Hydraulic Cylinder  |            | 1   |
| 5    | HC6340445          | Hydraulcylinder         | Hyd. Cyl. with Stop | HC3325     | 1   |
| 6    | 09086              | Redskapsbult            | Pin With Handle     | ø28-138 mm | 2   |
| 7    | 09072              | Redskapsbult            | Top Link Pin 1"     | ø25-128 mm | 1   |
| 8    | 10522              | Ringsprint              | Locking Pin         |            | 6   |
| 9    | 10522              | Ringsprint              | Locking Pin         |            | 3   |
| 10   | 5390-43-20         | Slanghållare            | Double Clamp        | Hydroscand | 3   |
| 11   | 5394-13-01         | Platta för slanghållare | Section Plate       | Hydroscand | 3   |
| 12   | M8 x 50 - 8.8 ZN/C | Skruv                   | Hex-Head Bolt       | DIN 931-1  | 3   |
| 13   | A 8,4 - ZN         | Bricka                  | Washer              | DIN 125    | 3   |