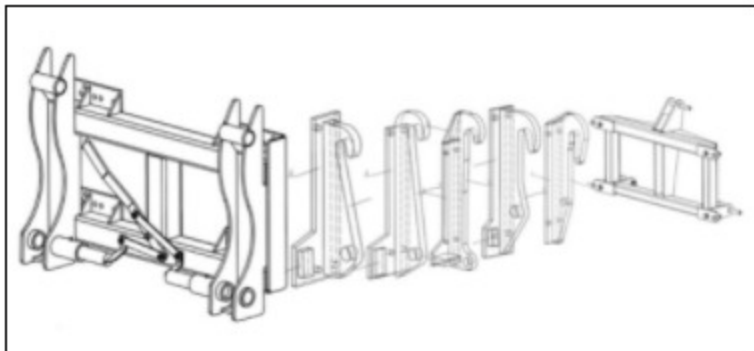


## **K.T.S Adapter**

If you have tools with welded attachments, if you share your tool with a neighbour or want to use your tool in the front lift, K.T.S has different adapters. This way it is possible to make e.g. a bale grabber with a Euro attachment fit a JCB telescopic loader by means of a K.T.S Adapter.

K.T.S has two different sizes of the adapter. the picture below shows the larger model with a maximum load of 5 tons. This is mainly intended for use with loaders.



It is very important that you choose an adapter/attachment corresponding to the lifting capacity of the machine.

## **Contact K.T.S Maskiner**

Phone: +46 19 58 50 10  
E-mail: [info@kts.se](mailto:info@kts.se)

In our attempts to continuously improve our products, K.T.S Maskiner and the manufacturer reserve the right to change the design and specifications of the products whenever they consider it appropriate, and without prior notification.

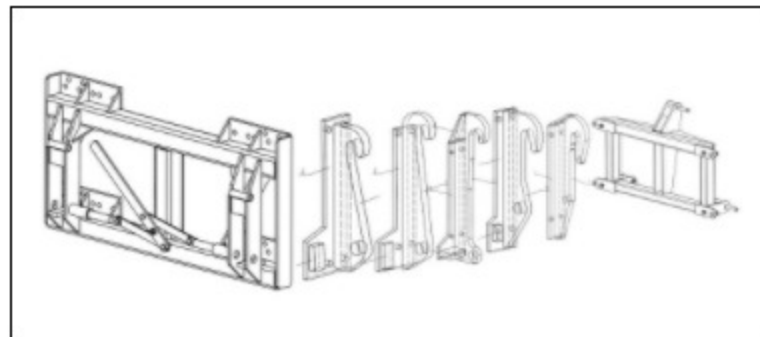
Reprinting of the text and pictures in this website in its entirety or parts thereof is forbidden, and offenders will be prosecuted.

## **Specifications**

<b>Equipment</b>	<b>K.T.S Adapter 5.0 ton</b>
The adapter is available with the following attachments facing the tool (bucket, bale grabber etc.)	Small BM.
Bolted attachments towards the tractor/loader	Standard: Trima/SMS or Euro. Many other attachments available to order.
Weight	Approx. 120 kg (depending on model)

<b>Equipment</b>	<b>K.T.S Adapter 3.0 ton</b>
The adapter is available with the following attachments facing the tool (bucket, bale grabber etc.)	Trima/SMS and Euro combined.
Bolted attachments towards the tractor/loader	Standard: Trima/SMS or Euro. Many other attachments available to order.
Weight	Approx. 80 kg (depending on model)

The picture below shows K.T.S Adapter for a maximum load of 3 tons. This model is suitable for tractors and smaller loaders.



The adapters have welded attachments towards the tool (bucket, bale grabber, pallet fork etc.) and - like all our other tools - bolted attachments towards the machine. With our bolted attachments our adapters become very flexible. We now also have an adapter from 3-point (facing machine) to Big BM (facing implement).

Our other bolted attachments include e.g. 3-point attachment (3 and 5 ton models), JCB, Bobcat, Weidemann, Terex, Kramer and different Zetelmeier attachments.

**Order a very detailed colour brochure and price list free of charge! Click below!**